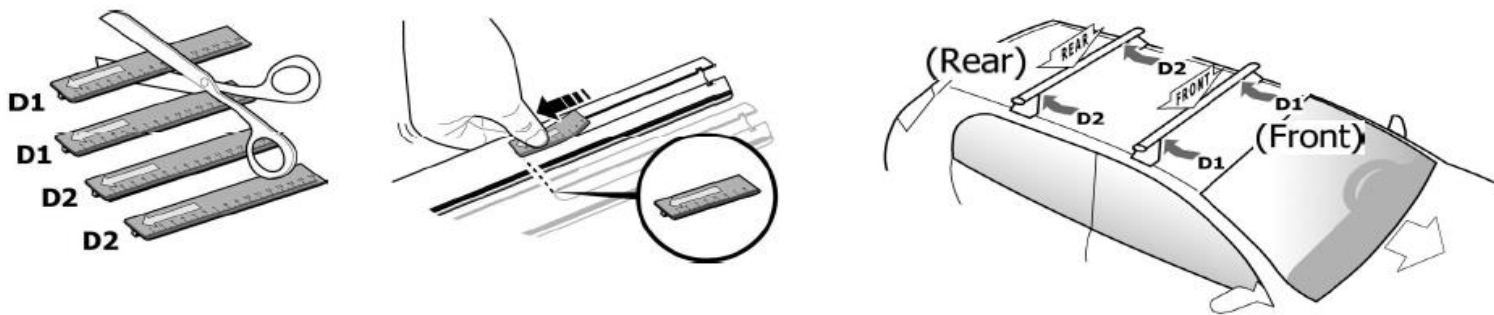
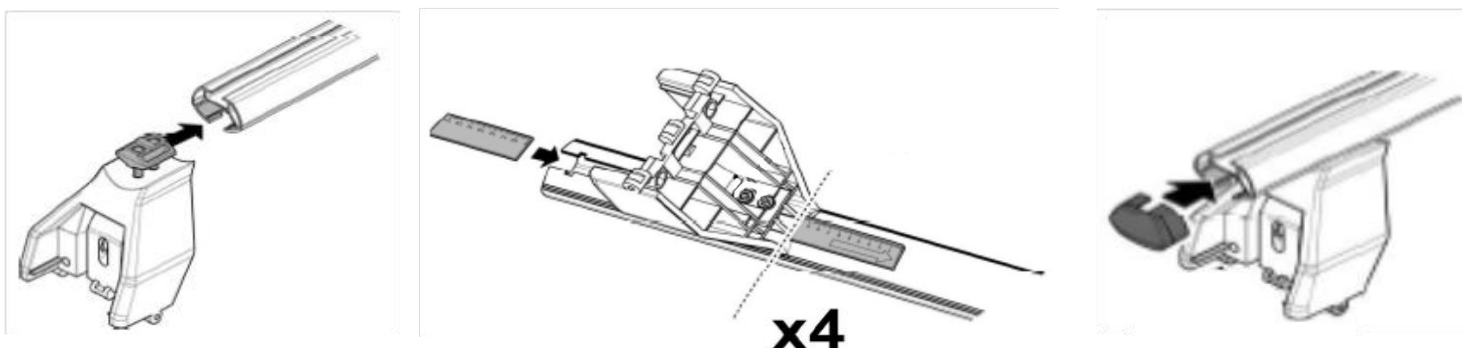


1

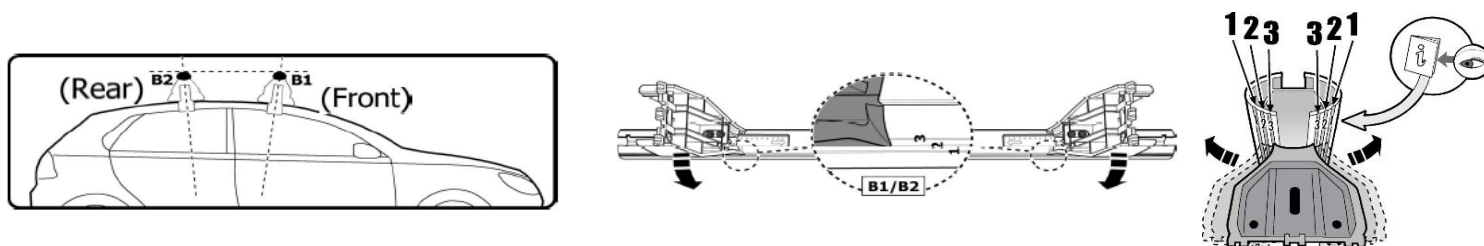


MANUFACTURER	MODEL CAR	DOORS	MODEL YEAR	D1	D2
PEUGEOT	206	3	98>09	7,9	9,3
PEUGEOT	206 Plus	3	09>12	7,9	9,3

2

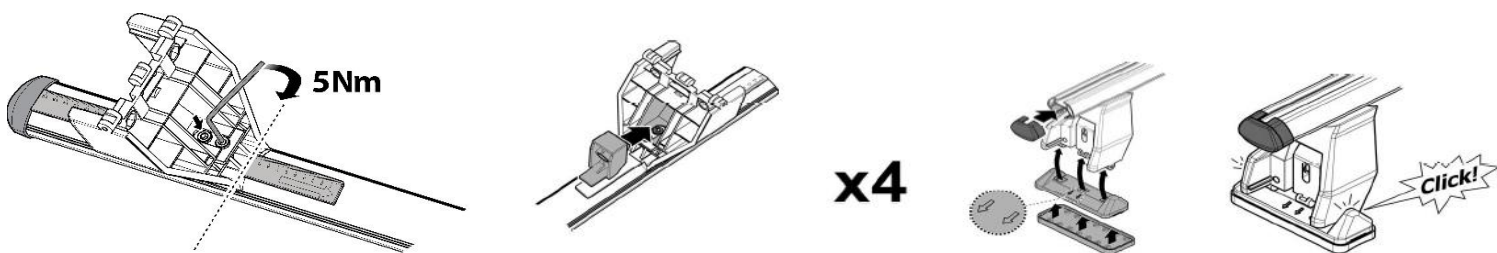


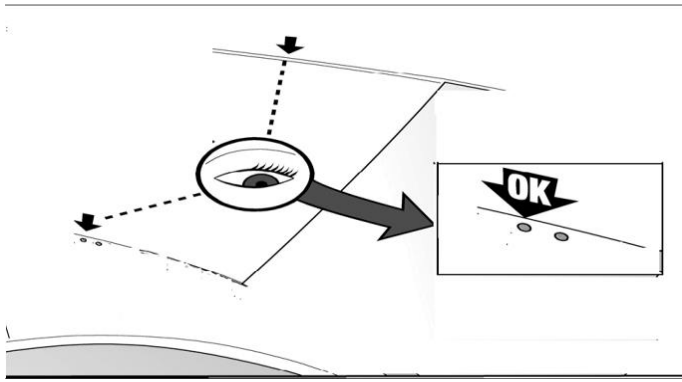
3



MANUFACTURER	MODEL CAR	DOORS	MODEL YEAR	B1	B2
PEUGEOT	206	3	98>09	2	2
PEUGEOT	206 Plus	3	09>12	2	2

4

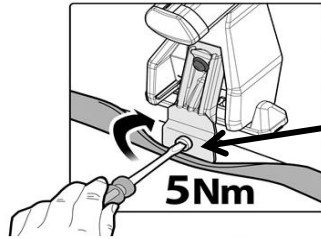
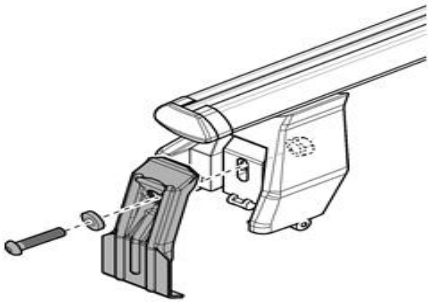




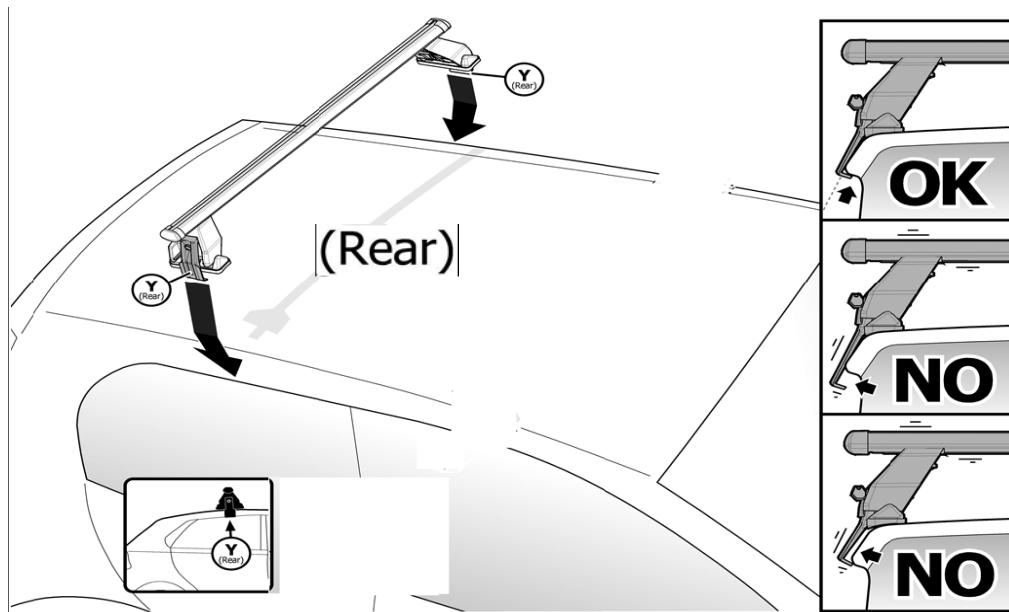
Front
x



44
2X



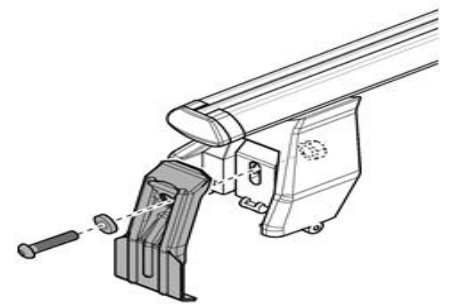
2 \oplus 16x12 include - included
Kit ricambio - Replacement Kit
70002490000



Rear
y



9R
2X



MANUFACTURER	MODEL CAR	DOORS	MODEL YEAR	A1	A2	A1	A2
				cm	cm	in	in
PEUGEOT	206	3	98>09		X		X
PEUGEOT	206 Plus	3	09>12		X		X

X = predisposizione originale /original arrangement