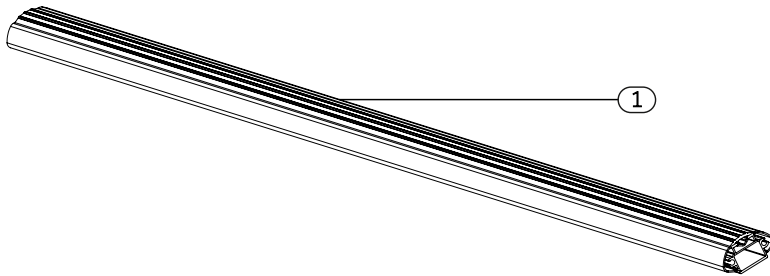
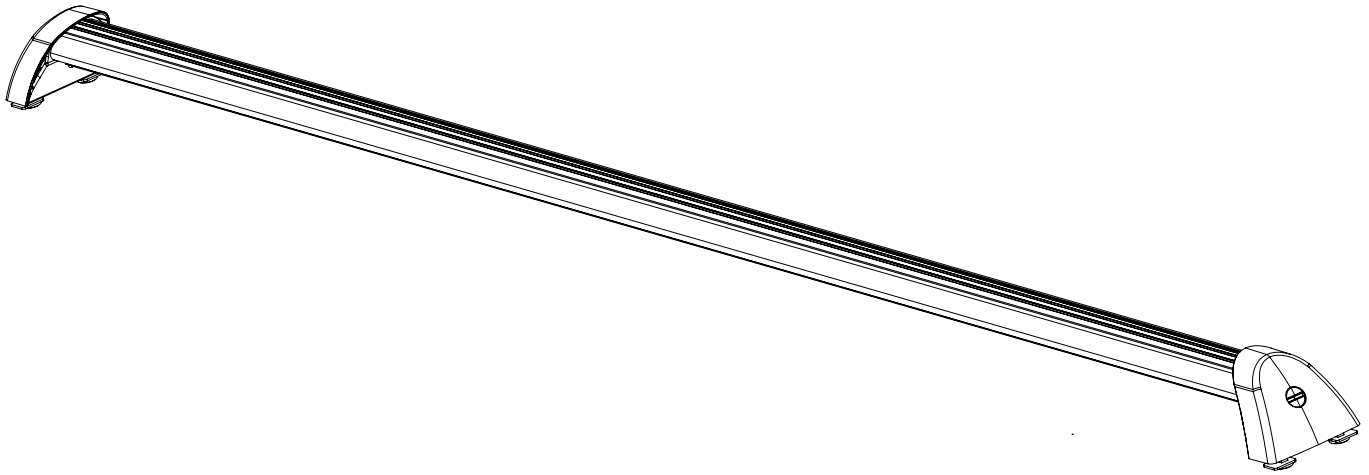
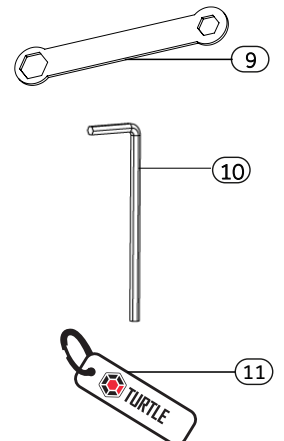
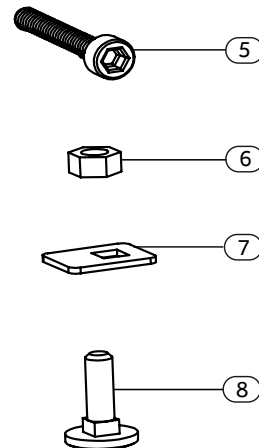
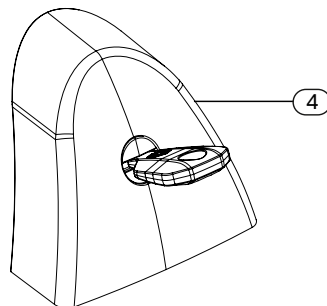
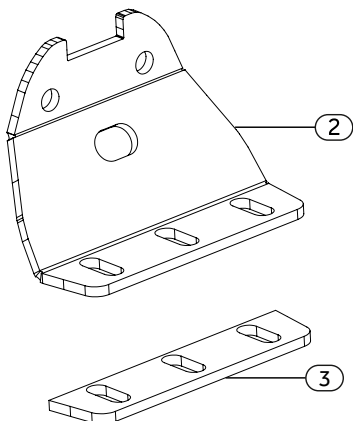



ASSEMBLY INSTRUCTIONS

Product Code: MC06001



NO	PACKAGE INCLUDED	PCS
1	PROFILE	2
2	BRACKET	4
3	SPONGE	4
4	PROFILE COVER	4
5	M5,5x30 SHEET METAL SCREW	8
6	M6 HEXNUT	8
7	SHEET METAL	8
8	M6x20 BUMPER HEAD BOLT	8
9	SPANNER 10-11	1
10	5 MM ALLIAN	1
11	TURTLE KEY-RING	1





TURTLE

FIRST TIME INSTALLATION

* REMOVE PARTS FROM INSIDE THE PACKAGE AND CHECK THEM ALL

* CONTACT YOUR DEALER IF ANY PART IS MISSING OR DAMAGED

* USE THE EQUIPMENT SPECIFIED FOR INSTALLATION

ASSEMBLY INSTRUCTIONS

Product Code: MC06001

