



FIRST TIME INSTALLATION

- * REMOVE PARTS FROM INSIDE THE PACKAGE AND CHECK THEM ALL
- * CONTACT YOUR DEALER IF ANY PART IS MISSING OR DAMAGED
- * USE THE EQUIPMENT SPECIFIED FOR INSTALLATION

ASSEMBLY INSTRUCTIONS (BRACKET KIT)

Product Code: MB02138 (B TYPE)
MB03138 (E TYPE)

COMPATIBLE VEHICLES

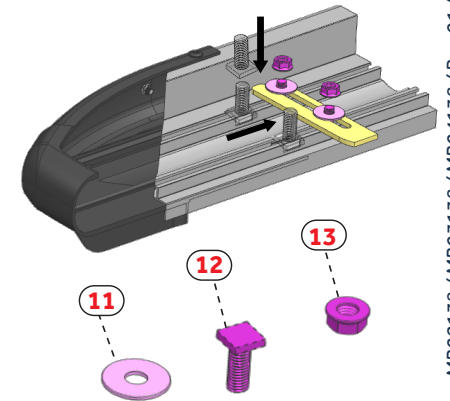
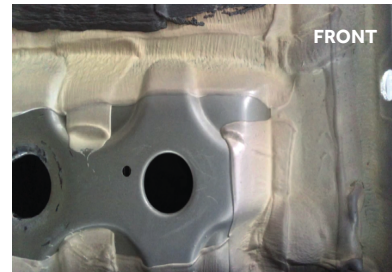
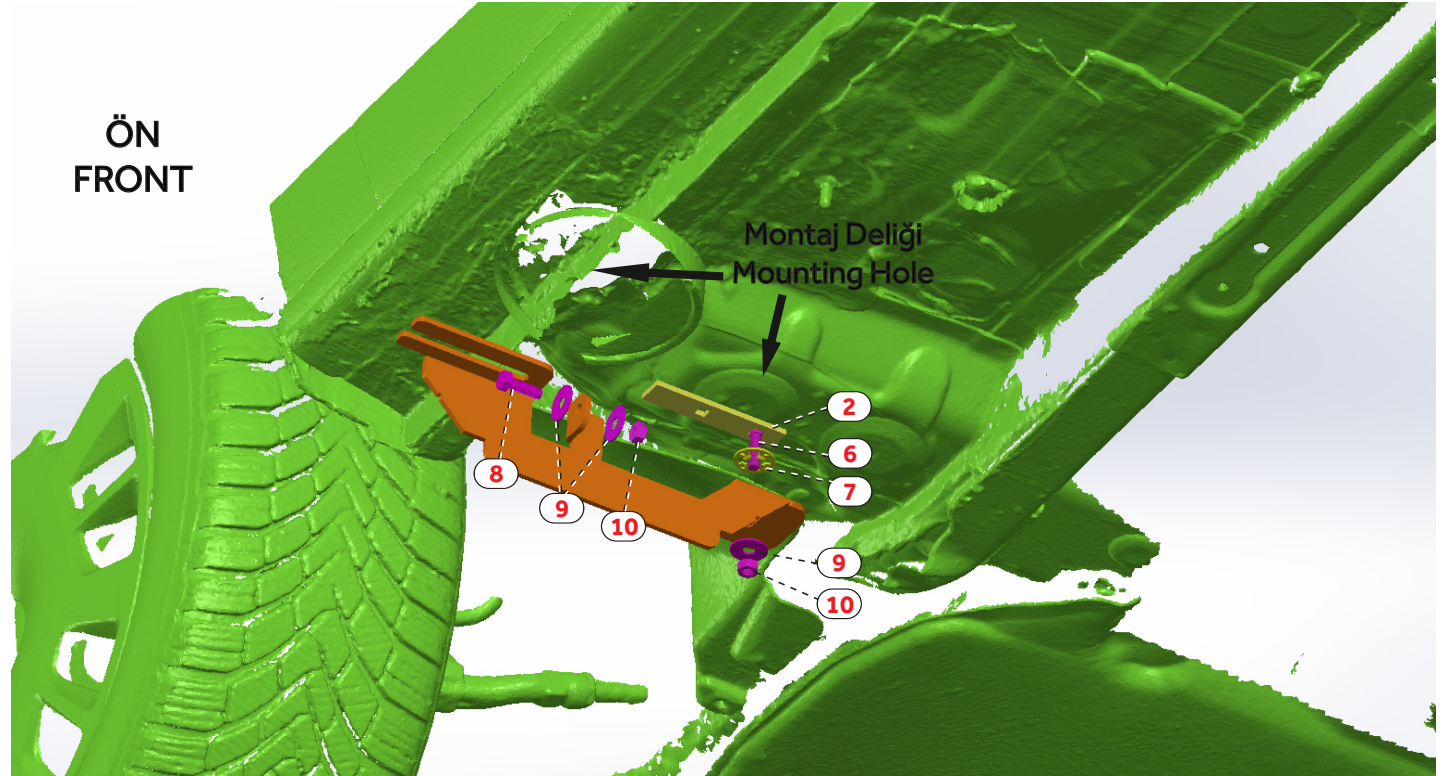
CTRN BRLNG VAN 19-
OPL CMB E VAN 19-
OPL CMB LIFE MPV 19-
PEU PRTNR VAN 19-
TYT PACE CITY VAN 19-
TYT PACE CITY VERS MPV 19-
VXHL CMB E VAN 19-
VXHL CMB LIFE MPV 19-



QR
Montaj Videosu
Assembly Video

PACKAGE INCLUDED

1-	CN-11 M8	2
2-	CN-03 M8	2
3-	CN-27 M8	2
4-	CN-34 M8	2
5-	M8x20 BUMPER BOLT	2
6-	M8 SPECIAL BOLT	2
7-	CLAMPING PIECE	8
8-	M8x25 HEX BOLT	4
9-	D8 WASHER	12
10-	M8 HEX NUT	12
11-	D8 WASHER	12
12-	M8x20 SQUARE BOLT	12
13-	M8 FLANGE NUT	12



MB02138 / MB03138 / MB04138 / Rev.01 / 20.08.2025 (GKMN)



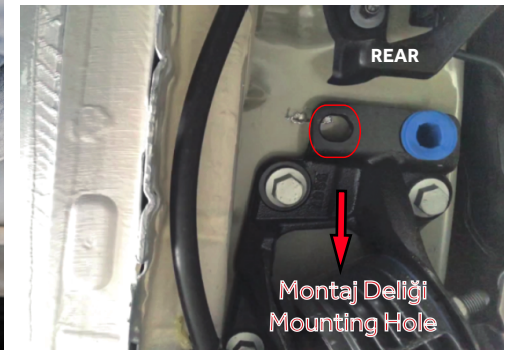
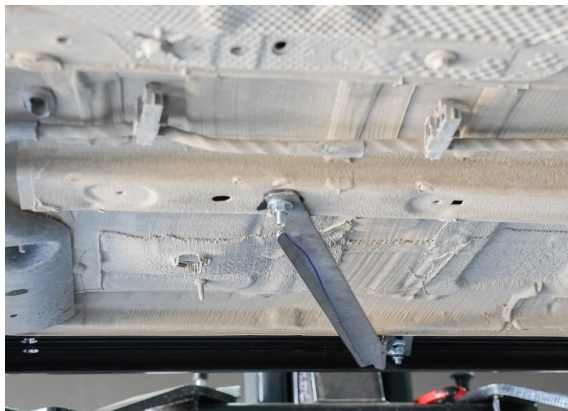
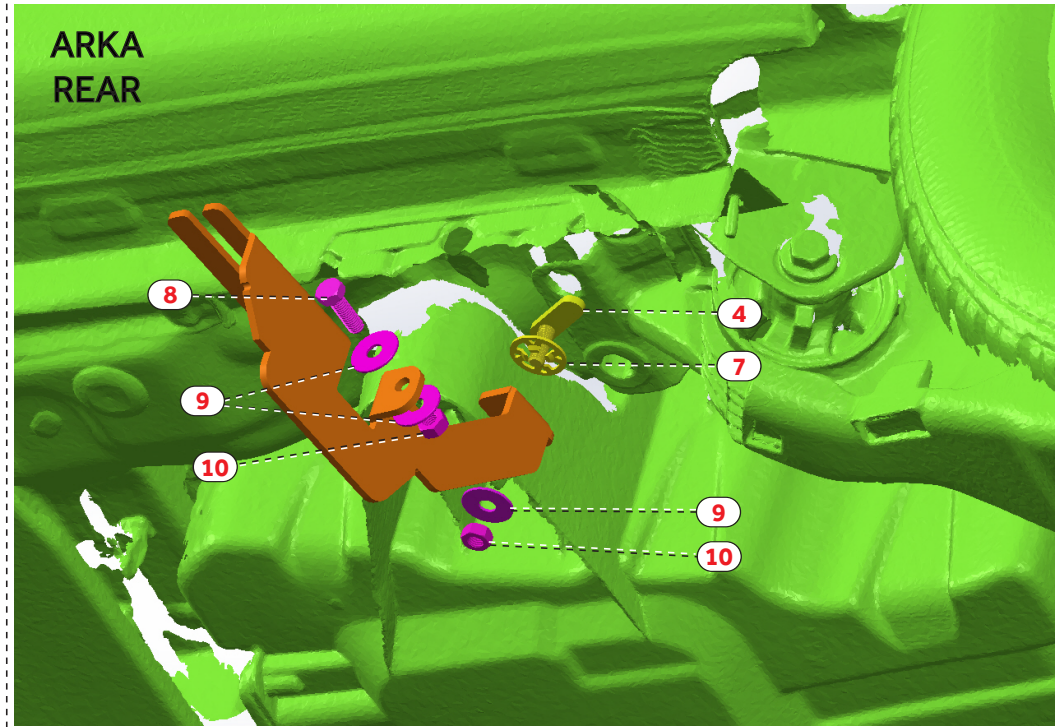
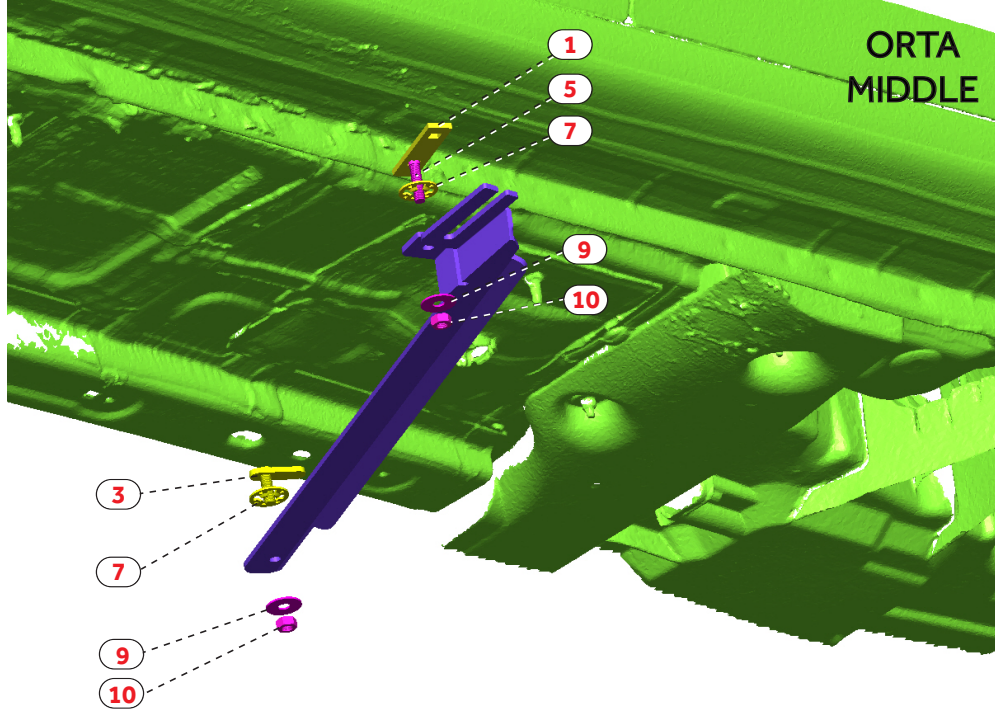
FIRST TIME INSTALLATION

- * REMOVE PARTS FROM INSIDE THE PACKAGE AND CHECK THEM ALL
- * CONTACT YOUR DEALER IF ANY PART IS MISSING OR DAMAGED
- * USE THE EQUIPMENT SPECIFIED FOR INSTALLATION

ASSEMBLY INSTRUCTIONS (BRACKET KIT)

Product Code: MB02138 (B TYPE)

MB03138 (E TYPE)



MB02138 / MB03138 / MB04138 / Rev.01 / 20.08.2025 (GKMN)