



## FIRST TIME INSTALLATION

- \* REMOVE PARTS FROM INSIDE THE PACKAGE AND CHECK THEM ALL
- \* CONTACT YOUR DEALER IF ANY PART IS MISSING OR DAMAGED
- \* USE THE EQUIPMENT SPECIFIED FOR INSTALLATION

### ASSEMBLY INSTRUCTIONS (BRACKET KIT)

Product Code:Product Code: MB01152 (A-TYPE)  
MB02152 (B-TYPE)

Aracınız;

SX4/S Cross ise 152-4L/R nolu parçaları kullanınız,

SX4/S Cross değil ise 152-4L/R nolu parçaları kullanmayınız.

Your vehicle;

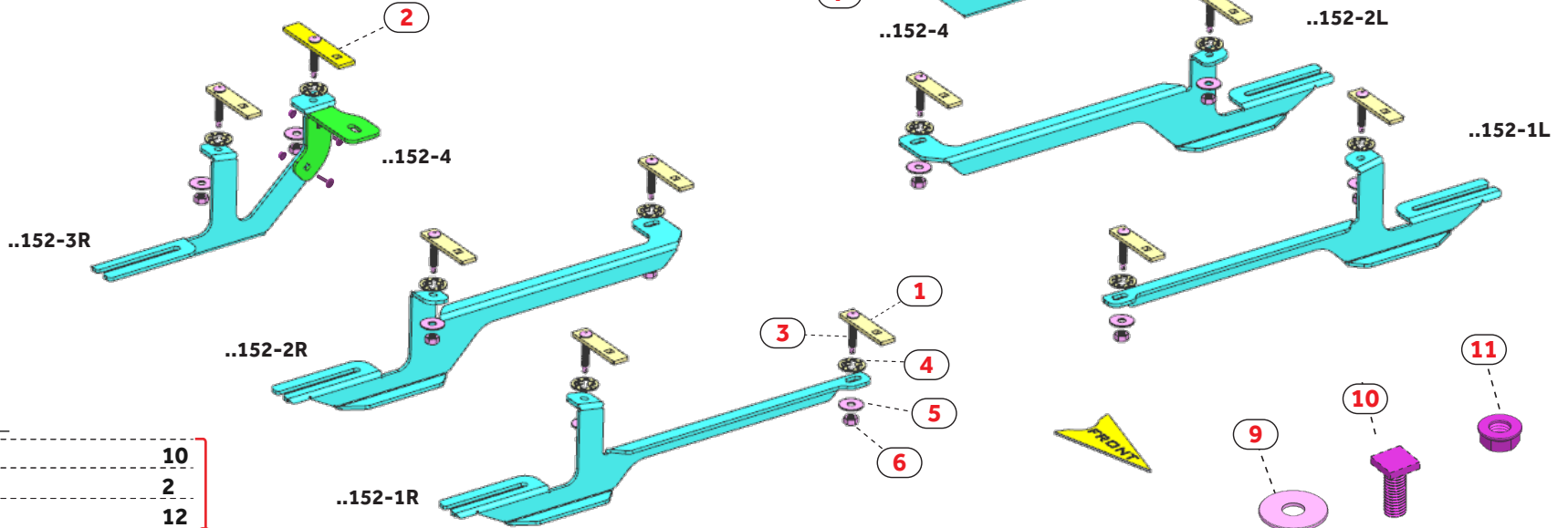
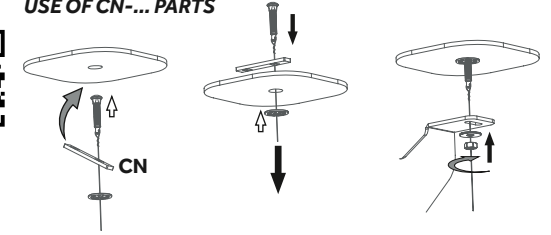
If it's SX4/S Cross, use parts 152-4L/R

If it's not SX4/S Cross, not use parts 152-4L/R

### COMPATIBLE VEHICLES

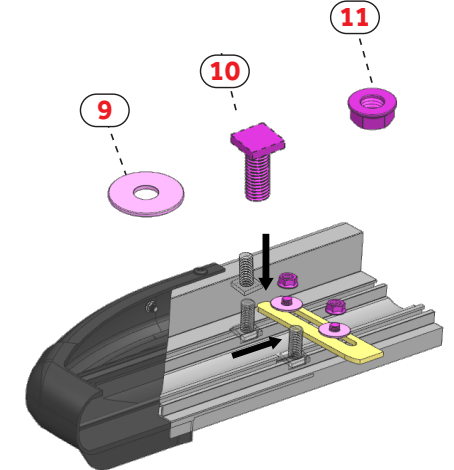
- SZK ESCD (LY) SUV 15-
- SZK VTR (LY) SUV 15-
- SZK SX4 SUV 22-
- SZK S-CRSS SUV 22-

### USE OF CN-... PARTS



### PACKAGE INCLUDED

1- CN-01 M8	10
2- CN-03 M8	2
3- M8 SPECIAL BOLT	12
4- CLAMPING PIECE	12
5- D8 WASHER	12
6- M8 HEX NUT	12
7- M6X15 LOCK HEADED BOLT	4
8- M6 HEX FLANGE NUT	4
9- D8 WASHER	12
10- M8x20 SQUARE BOLT	12
11- M8 FLANGE NUT	12



MB01152-MB02152/ Rev.00/01.02.2024 (AYSENUUR)