



### FIRST TIME INSTALLATION

\* REMOVE PARTS FROM INSIDE THE PACKAGE AND CHECK THEM ALL

\* CONTACT YOUR DEALER IF ANY PART IS MISSING OR DAMAGED

\* USE THE EQUIPMENT SPECIFIED FOR INSTALLATION

### ASSEMBLY INSTRUCTIONS (BRACKET KIT)

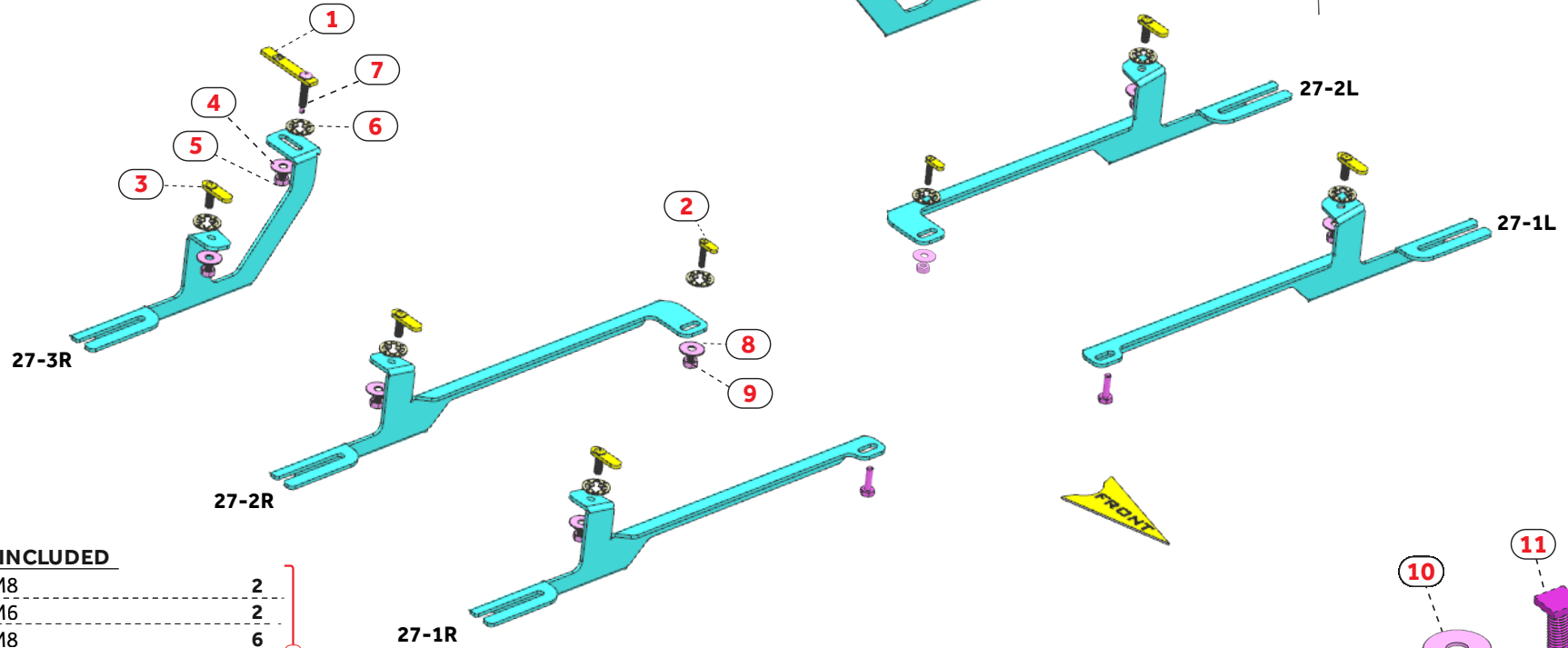
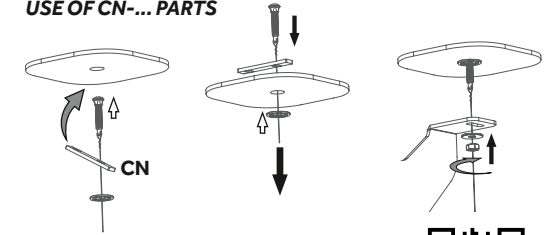
Product Code: MB01027(A-TYPE)

MB02027(B-TYPE)

### COMPATIBLE VEHICLES

QASHQAI (J10) SUV 07-13  
QASHQAI +2 (J10) SUV 07-13  
QASHQAI (J11) SUV 14-  
KADJAR SUV 15-

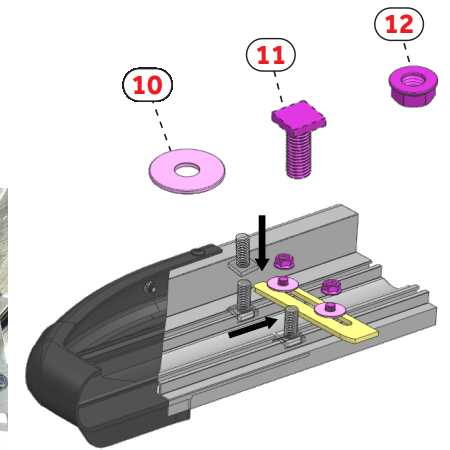
### USE OF CN-... PARTS



### PACKAGE INCLUDED

1- CN-02 M8	2
2- CN-04 M6	2
3- CN-34 M8	6
4- D8 WASHER	8
5- M8 HEX NUT	8
6- CLAMPING PIECE	10
7- M8 SPECIAL BOLT	2
8- M6 WASHER	2
9- M6 HEX NUT	2
10- D8 WASHER	12
11- M8x20 SQUARE BOLT	12
12- M8 FLANGE NUT	12

ZIPLOCK BAG



MB01027-MB02027- / Rev.00/ 29.11.2023 (BASRi)