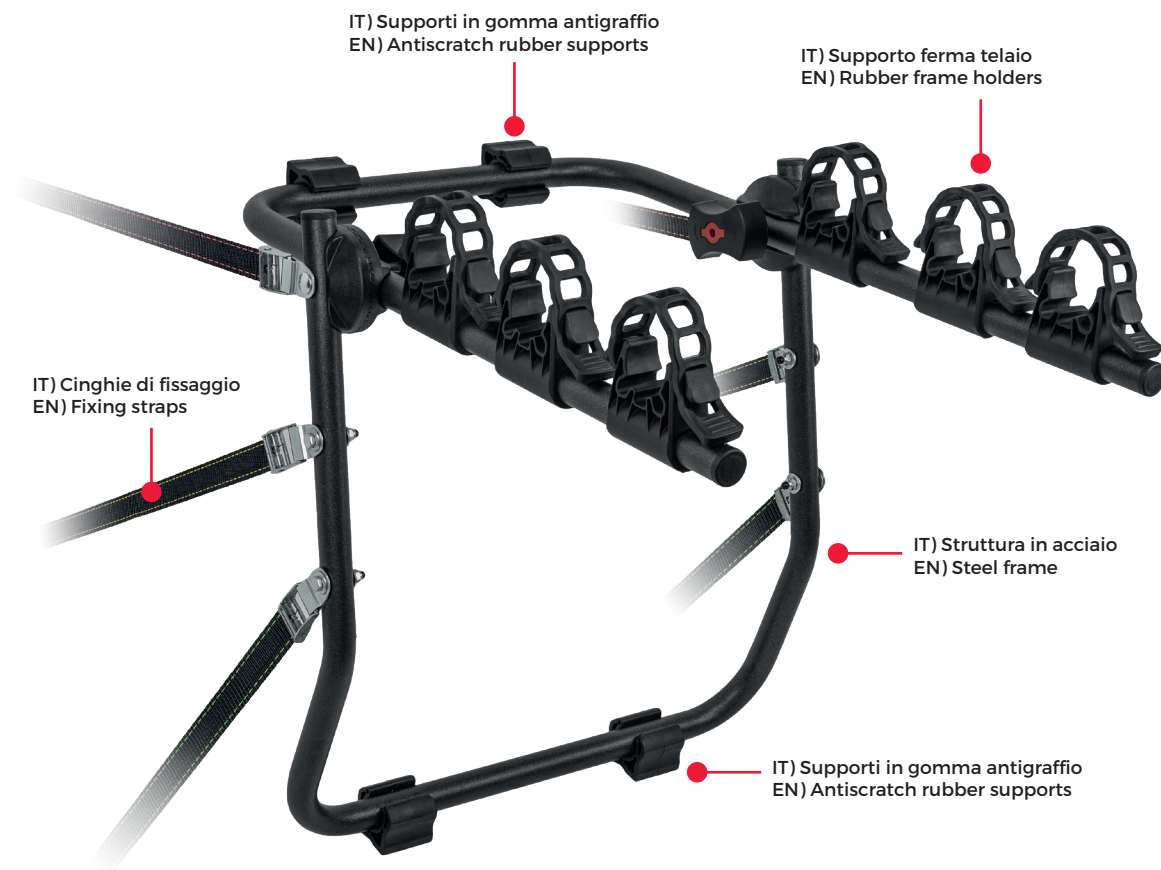
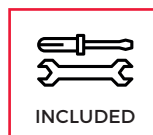


MISTRAL



Watch video

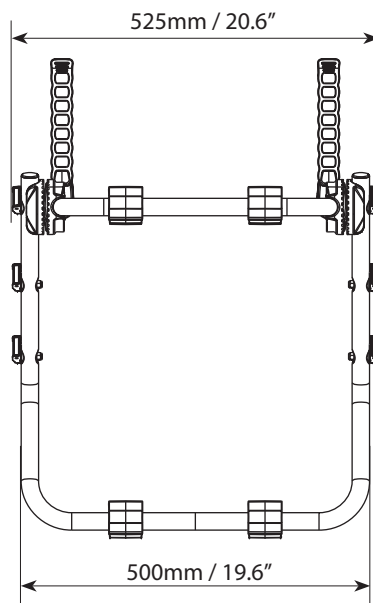
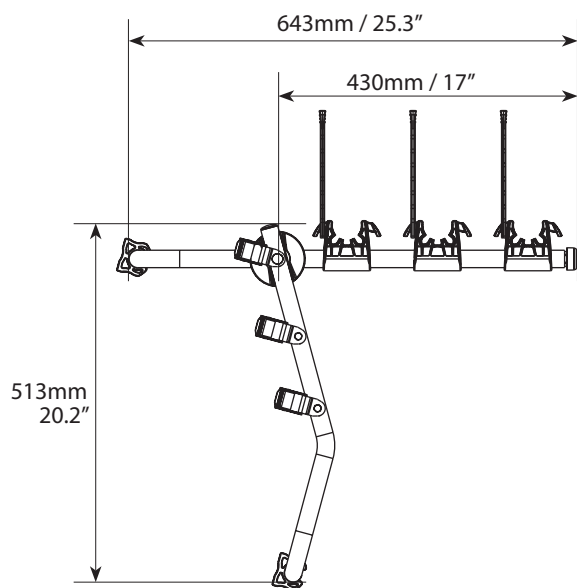


IT) Portabici posteriore in acciaio adatto al trasporto di tre biciclette. Sicuro, semplice e rapido da montare. Una volta richiuso, occupa pochissimo spazio.

EN) Rear mounted bike rack, completely steel made, suitable for carrying three bikes. Easy and quick to install on the car's hatch, it is extremely safe. When folded, it takes very few space.

Art. 000009000000





| | |
|----------------------------------|---|
| Art. | 000009000000 |
| | 3,7kg/8lb |
| Materiale Material Matière | Acciaio Steel Stahl Acero Acier |
| | max 45kg/99lb |
| | x |
| | x |
| Max | 3 |
| Fat bike | ✓ |
| E-bike | x |

| | |
|--------|--|
| Mod. | MISTRAL |
| Art.N° | 000009000000 |
| | L x W x H : 67x52,5x10 cm / 26.3x20.6x4" 4,9 Kg / 10.8lb |
| | L x W x H : 60x40x70 cm / 23.6x15.7x27.5" 26 Kg / 57.3lb Pz : 5 |
| | L x W x H : 120x80x195 cm / 47.2x31.5x76.7" 280 Kg / 617.3lb Pz : 50 |
| Ean-13 | 8 003168 117070 |

COMPATIBILITÀ BICI / BIKE COMPATIBILITY / VÉLOS COMPATIBLES / BICICLETAS COMPATIBLES / UNTERSTÜTZTE FAHRRÄDER

| | | | | | |
|---------|------------------------------------|---|----------|----------|----------|
| Art. | | | | | |
| MISTRAL | min: 25mm/1" max: 60mm/2.3" | min: 30x50mm/1.2x2" max: 50x75mm/ 2x3" | No limit | No limit | No limit |

F.lli Menabò s.r.l.

Via 8 Marzo 3,
42025 Cavriago (RE), Italy
+39-0522/942840
info@flli-menabo.it
www.menabocaraccessories.com